

Dismantling Information of Hisense TV

Manufacturer and Contact Information

Manufacturer Information	
Name	Hisense Visual Technology Co.,Ltd.
Address	No.218 Qingwangang Road, Economy &Technology Development Zone.Qingdao.China
Importer Information	
Name	Gorenje gospodinjski aparati, d.o.o.
Address	Partizanska cesta 12, 3320 Velenje Slovenija

Company Name: Hisense

Brand Name: Hisense

Product Category: TV A521EERT Series

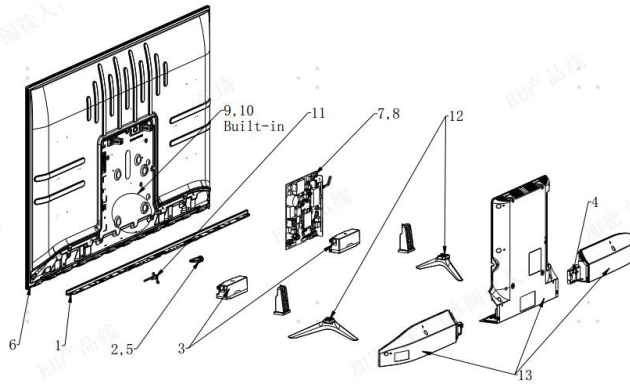
TV information

All of the components of TV indicated in point 1 of Annex VII of Directive 2012/19/EU on WEEE or in Article 11 of Directive 2006/66/EC of the European Parliament and of the Council(1) on batteries and accumulators and waste batteries and accumulators.

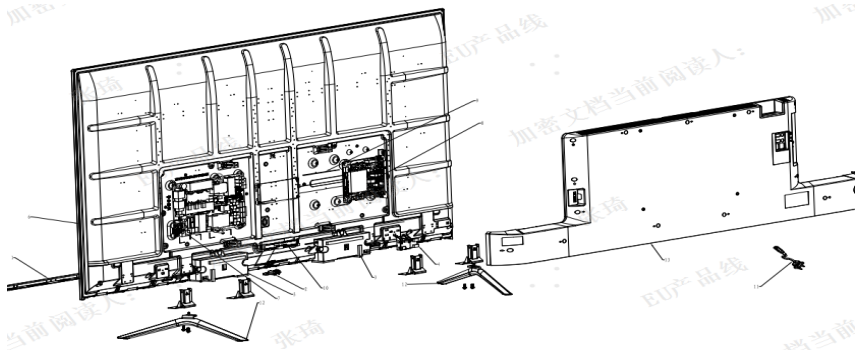
Refer to in point 1 of Annex VII of Directive 2012/12/19/EU,
The TV can disassembly as the explosive view by the steps:

Tools: Screwdriver

Steps:



The explosive view of 43/50/55 explosive view



The explosive view of 65 explosive view

COMPONENT		TOOL	
SPEAKER	Unplug the AC cable	BY HAND	
	Lay the TV on soft surface with LCD screen bottom	BY HAND	
	Remove 4 screws of double stands from bottom side	CROSS SCREWDRIVER	
	Remove double stands from bottom side of the TV	BY HAND	
	Remove all screws from the backwall (14 from backside)	CROSS SCREWDRIVER	
	Release the middle backwall and then the right and left ones from the TV	BY HAND	
	Unplug the connector for SPEAKER from the mainboard (release side nodge, pull the connector out)	BY HAND	
	Release SPEAKER out of the TV	BY HAND	
WIFI/BT BOARD	Unplug the AC cable	BY HAND	
	Lay the TV on soft surface with LCD screen bottom	BY HAND	
	Remove 4 screws of double stands from bottom side	CROSS SCREWDRIVER	
	Remove double stands from bottom side of the TV	BY HAND	
	Remove all screws from the backwall (14 from backside)	CROSS SCREWDRIVER	
	Release the middle backwall from the TV	BY HAND	
	Unplug the connector for WIFI BOARD from the mainboard (release side nodge, pull the connector out)	BY HAND	
	Release WIFIBOARD out of the right backwall	BY HAND	
IR MODULE	Unplug the AC cable	BY HAND	
	Lay the TV on soft surface with LCD screen bottom	BY HAND	
	Remove 4 screws of double stands from bottom side	CROSS SCREWDRIVER	
	Remove double stands from bottom side of the TV	BY HAND	
	Remove all screws from the backwall (14 from backside)	CROSS SCREWDRIVER	
	Release the middle backwall from the TV	BY HAND	
	Unplug the connector of IR MODULE from the mainboard (release side nodge, pull the connector out)	BY HAND	
	Release IR BOARD out of the TV	BY HAND	
MAINBOARD	Unplug the AC cable	BY HAND	
	Lay the TV on soft surface with LCD screen bottom	BY HAND	
	Remove 4 screws of double stands from bottom side	CROSS SCREWDRIVER	
	Remove double stands from bottom side of the TV	BY HAND	
	Remove all screws from the backwall (14 from backside)	CROSS SCREWDRIVER	
	Release the middle backwall from the TV	BY HAND	
	Release the high voltage on the grid capacitor !!!!!	BY PLIERS	
	Release all connectors from MAINBOARD (release side nodge, pull the connector out)	BY HAND	
	Remove 5 screws from MAINBOARD	CROSS SCREWDRIVER	
	Remove MAINBOARD from the TV	BY HAND	
POWER BOARD	Unplug the AC cable	BY HAND	

	Lay the TV on soft surface with LCD screen bottom	BY HAND
	Remove 4 screws of double stands from bottom side	CROSS SCREWDRIVER
	Remove double stands from bottom side of the TV	BY HAND
	Remove all screws from the backwall (14 from backside)	CROSS SCREWDRIVER
	Release the middle backwall from the TV	BY HAND
	Release the high voltage on the grid capacitor !!!!!	BY PLIERS
	Release all connectors from MAINBOARD (release side nodge, pull the connector out)	BY HAND
	Remove 5 screws from MAINBOARD	CROSS SCREWDRIVER
	Remove MAINBOARD from the TV	BY HAND
LCD PANEL	Unplug the AC cable	BY HAND
	Lay the TV on soft surface with LCD screen bottom	BY HAND
	Remove 4 screws of double stands from bottom side	CROSS SCREWDRIVER
	Remove double stands from bottom side of the TV	BY HAND
	Remove all screws from the backwall (14 from backside)	CROSS SCREWDRIVER
	Release the middle backwall and then the right and left ones from the TV	BY HAND
	Unplug all connectors from internal modules (release side nodge, pull the connector out)	BY HAND
	Release SPEAKER out of the TV	BY HAND
	Release IR BOARD out of the TV	BY HAND
	Release WIFIBOARD out of the right backwall	BY HAND
	Remove all screws from internal modules	CROSS SCREWDRIVER
	Release the high voltage on the grid capacitor !!!!!	BY PLIERS
	Remove POWERBOARD and MAINBOARD from the TV	BY HAND
	Remove the stand holders from the TV	BY HAND
	Remove all cables out of the panel	BY HAND
	Remove bottom panel from the front side of the screen	FLAT SCREWDRIVER

