

Dismantling Information of Hisense TV

Manufacturer and Contact Information

| Manufacturer Information | |
|--------------------------|---|
| Name | Hisense Visual Technology Co.,Ltd. |
| Address | No.218 Qingwangang Road, Economy &Technology Development Zone.Qingdao.China |
| Importer Information | |
| Name | Gorenje gospodinjski aparati, d.o.o. |
| Address | Partizanska cesta 12, 3320 Velenje Slovenija |

Company Name: Hisense

Brand Name: Hisense

Product Category: TV A7100F Series

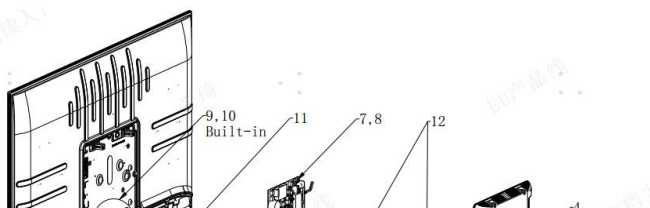
TV information

All of the components of TV indicated in point 1 of Annex VII of Directive 2012/19/EU on WEEE or in Article 11 of Directive 2006/66/EC of the European Parliament and of the Council(1) on batteries and accumulators and waste batteries and accumulators.

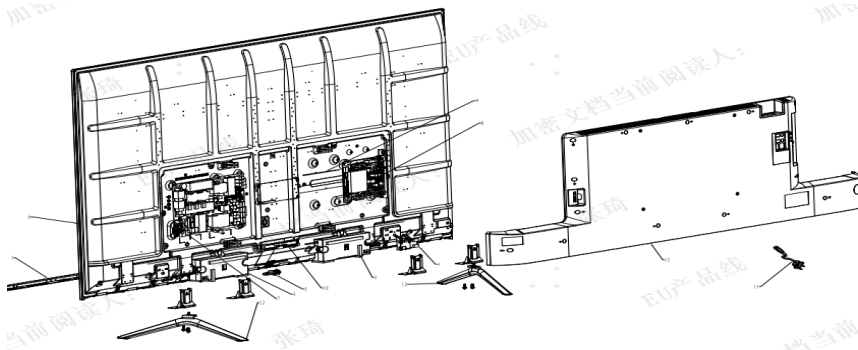
Refer to in point 1 of Annex VII of Directive 2012/12/19/EU,
The TV can disassembly as the explosive view by the steps:

Tools: Screwdriver

Steps:



The explosive view of 43/50/55/58 explosive view



The explosive view of 65/70/75 explosive view

COMPONENT

TOOL

| COMPONENT | | TOOL |
|----------------------|---|-------------------|
| SPEAKER | Unplug the AC cable | BY HAND |
| | Lay the TV on soft surface with LCD screen bottom | BY HAND |
| | Remove 4 screws of double stands from bottom side | CROSS SCREWDRIVER |
| | Remove double stands from bottom side of the TV | BY HAND |
| | Remove all screws from the backwall (14 from backside) | CROSS SCREWDRIVER |
| | Release the middle backwall and then the right and left ones from the TV | BY HAND |
| | Unplug the connector for SPEAKER from the mainboard (release side nodge, pull the connector out) | BY HAND |
| | Release SPEAKER out of the TV | BY HAND |
| | | |
| WIFI/BT BOARD | Unplug the AC cable | BY HAND |
| | Lay the TV on soft surface with LCD screen bottom | BY HAND |
| | Remove 4 screws of double stands from bottom side | CROSS SCREWDRIVER |
| | Remove double stands from bottom side of the TV | BY HAND |
| | Remove all screws from the backwall (14 from backside) | CROSS SCREWDRIVER |
| | Release the middle backwall from the TV | BY HAND |
| | Unplug the connector for WIFI BOARD from the mainboard (release side nodge, pull the connector out) | BY HAND |
| | Release WIFIBOARD out of the right backwall | BY HAND |
| | | |
| IR MODULE | Unplug the AC cable | BY HAND |
| | Lay the TV on soft surface with LCD screen bottom | BY HAND |
| | Remove 4 screws of double stands from bottom side | CROSS SCREWDRIVER |
| | Remove double stands from bottom side of the TV | BY HAND |
| | Remove all screws from the backwall (14 from backside) | CROSS SCREWDRIVER |
| | Release the middle backwall from the TV | BY HAND |
| | Unplug the connector of IR MODULE from the mainboard (release side nodge, pull the connector out) | BY HAND |
| | Release IR BOARD out of the TV | BY HAND |
| | | |
| MAINBOARD | Unplug the AC cable | BY HAND |
| | Lay the TV on soft surface with LCD screen bottom | BY HAND |
| | Remove 4 screws of double stands from bottom side | CROSS SCREWDRIVER |
| | Remove double stands from bottom side of the TV | BY HAND |
| | Remove all screws from the backwall (14 from backside) | CROSS SCREWDRIVER |
| | Release the middle backwall from the TV | BY HAND |
| | Release the high voltage on the grid capacitor !!!!! | BY PLIERS |
| | Release all connectors from MAINBOARD (release side nodge, pull the connector out) | BY HAND |
| | Remove 5 screws from MAINBOARD | CROSS SCREWDRIVER |
| | Remove MAINBOARD from the TV | BY HAND |
| | | |
| POWER BOARD | Unplug the AC cable | BY HAND |

| | | |
|-----------|--|-------------------|
| | Lay the TV on soft surface with LCD screen bottom | BY HAND |
| | Remove 4 screws of double stands from bottom side | CROSS SCREWDRIVER |
| | Remove double stands from bottom side of the TV | BY HAND |
| | Remove all screws from the backwall (14 from backside) | CROSS SCREWDRIVER |
| | Release the middle backwall from the TV | BY HAND |
| | Release the high voltage on the grid capacitor !!!!! | BY PLIERS |
| | Release all connectors from MAINBOARD (release side nodge, pull the connector out) | BY HAND |
| | Remove 5 screws from MAINBOARD | CROSS SCREWDRIVER |
| | Remove MAINBOARD from the TV | BY HAND |
| | | |
| LCD PANEL | Unplug the AC cable | BY HAND |
| | Lay the TV on soft surface with LCD screen bottom | BY HAND |
| | Remove 4 screws of double stands from bottom side | CROSS SCREWDRIVER |
| | Remove double stands from bottom side of the TV | BY HAND |
| | Remove all screws from the backwall (14 from backside) | CROSS SCREWDRIVER |
| | Release the middle backwall and then the right and left ones from the TV | BY HAND |
| | Unplug all connectors from internal modules (release side nodge, pull the connector out) | BY HAND |
| | Release SPEAKER out of the TV | BY HAND |
| | Release IR BOARD out of the TV | BY HAND |
| | Release WIFIBOARD out of the right backwall | BY HAND |
| | Remove all screws from internal modules | CROSS SCREWDRIVER |
| | Release the high voltage on the grid capacitor !!!!! | BY PLIERS |
| | Remove POWERBOARD and MAINBOARD from the TV | BY HAND |
| | Remove the stand holders from the TV | BY HAND |
| | Remove all cables out of the panel | BY HAND |
| | Remove bottom panel from the front side of the screen | FLAT SCREWDRIVER |

